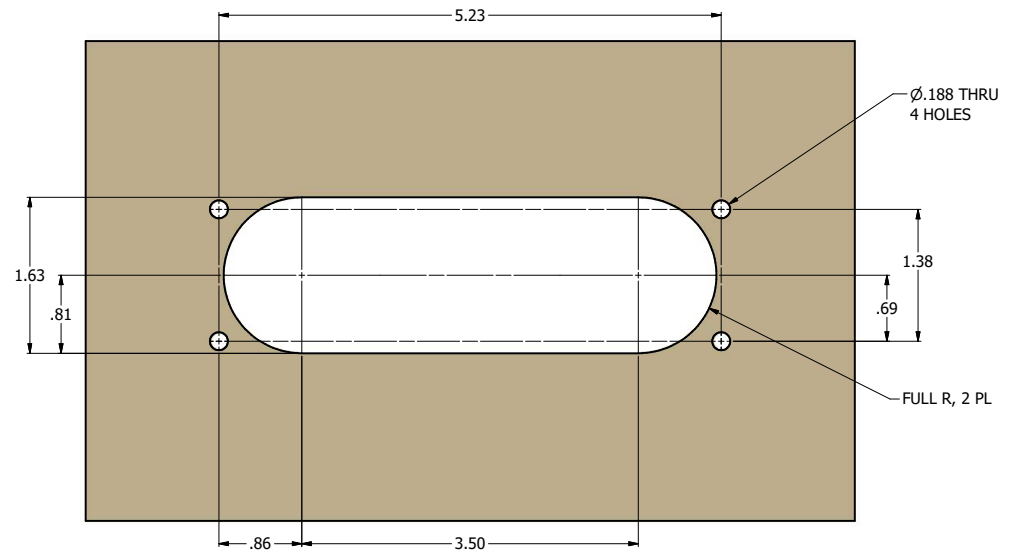
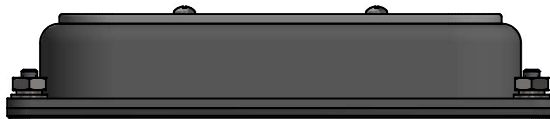
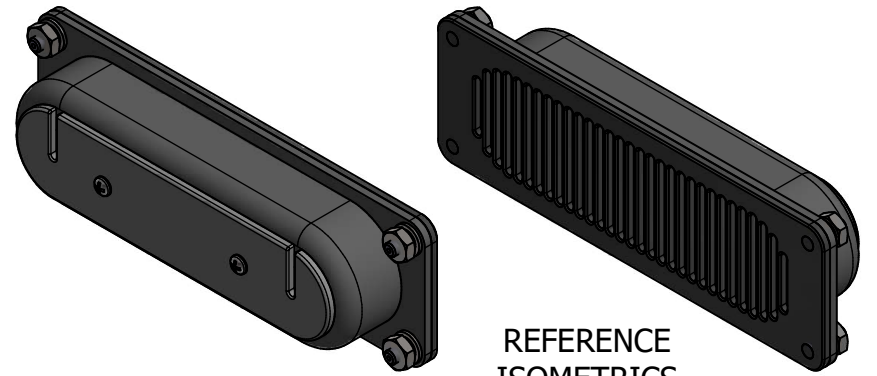
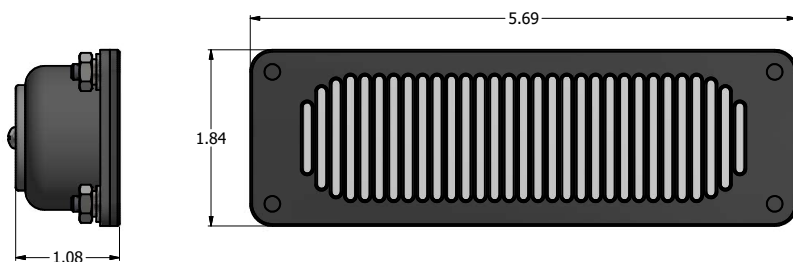


THIS DOCUMENT CONTAINS PROPRIETARY INFORMATION AND SUCH INFORMATION SHALL NOT BE DISCLOSED TO OTHERS FOR ANY PURPOSE OR USED FOR MANUFACTURING PURPOSES WITHOUT WRITTEN PERMISSION FROM ANDREA ELECTRONICS CORP.

REVISIONS			
REV	DESCRIPTION	DATE	APPROVED
A	PRODUCTION RELEASE	3-37-22	JP



RECOMMENDED CUTOUT



REFERENCE ISOMETRICS

		UNLESS OTHERWISE SPECIFIED ALL DIMENSIONS ARE IN INCHES TOLERANCES FRACTIONS ± ANGLES ± 1/64 3 PLACE DECIMALS ± .005 2 PLACE DECIMALS ± .01 DO NOT SCALE DRAWING	CONTRACT NO. PREPARED J. PROBST 3-26-22 DOCUMENT CONTROL	Andrea Electronics Corp. Bohemia, New York	
		MATERIAL NONE	ENGINEERING	MENU POST ARRAY MICROPHONE OUTLINE	
NEXT ASSY	USED ON	FINISH NONE	OPERATIONS	SIZE C	CAGE CODE 03487
APPLICATION			QUALITY	C1-1030100-X	
				SCALE 1:1	JOB SHEET 1 OF 1